



DB-043-5P hauls heavy, dense loads. Removable handle fits sockets at both ends of cart for greater maneuverability.

Use the right cart for the job.

- *Low side for easy loading.*
- *Carts fit under conveyors and under machine tool discharge.*
- *Roll heavy loads away from production areas.*
- *Carts feature conveniently placed push handles.*
- *Choice of dumping modes.*

	043 Series	044 Series	X44 Series
Capacity	6.9 cubic feet	9.6 cubic feet	15.8 cubic feet
Load Rating	1000 lbs.	1000 lbs.	1000 lbs.
Bin Dimensions	36" long 24" wide 15-1/2" deep	42" long 28" wide 15-1/2" deep	42" long 36-1/2" wide 20" deep
Color	Gray Standard, Blue Optional	Gray Standard, Blue Optional	Gray Standard, Blue Optional
Lip Height	15"	15"	15"
Method of Dumping	DB = Rotational Dumping* RB = Hydraulic Dumping** WB = Rotational or Hydraulic Dumping**	DB = Rotational Dumping* RB = Hydraulic Dumping** WB = Rotational or Hydraulic Dumping**	DB = Rotational Dumping* RB = Hydraulic Dumping** WB = Rotational or Hydraulic Dumping**
Dumping Frame (Optional)	DF-1043	DF-1044	DF-1044
Wheels	5 inch phenolic***	5 inch phenolic***	5 inch phenolic***
Options Available	Drain Plug Hinged Drain Cover Four Swivel Casters Dumping Frame 1043	Drain Plug Hinged Drain Cover Four Swivel Casters Dumping Frame 1044	Drain Plug Hinged Drain Cover Four Swivel Casters Dumping Frame 1044
Shipping Weight	123 lbs.	154 lbs.	240 lbs.

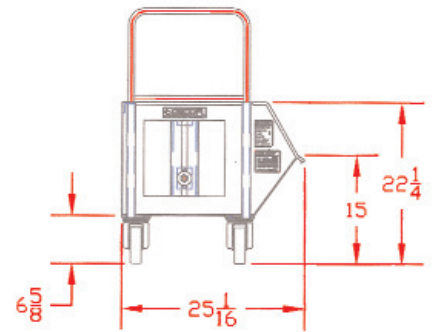
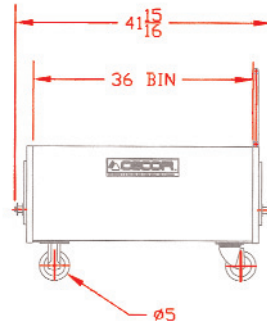
* For rotational dumping use CECOR Dumping Frame. **See Option page for details. ***Other sizes and styles available.

Low Loading Carts

043 Series



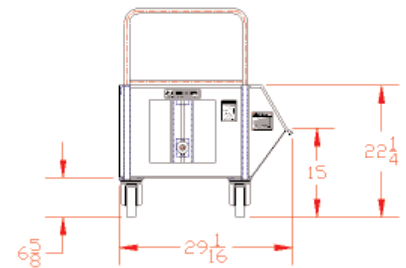
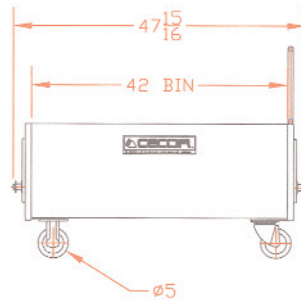
DB-043-5P



044 Series



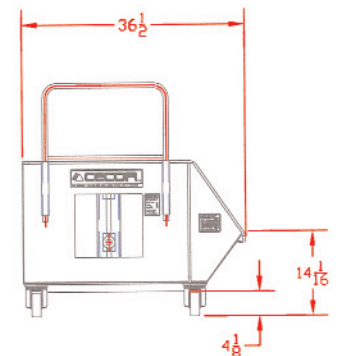
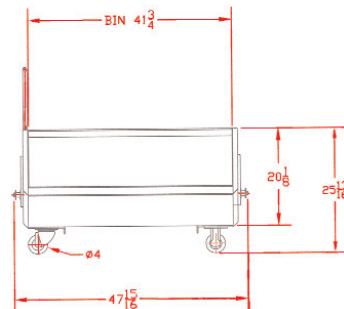
DB-044-5P



X44 Series



DB-X44-4P



NOTE: Engineering specifications subject to change without notice.